

# MSR Gold™ MiniFastFit (DJ/Club)

MSR Gold™ 300/2 MiniFastFit 1CT



Thanks to the specially designed lamp base and lamp holder, the MSR Gold™ MiniFastFit takes just seconds to replace, to help ensure non-stop clubbing entertainment. In addition, the innovative gold plated pins ensure excellent current transfer to prolong lamp and lamp holder lifetimes and thereby reduce lamp replacement costs. Easy handling and small compact fixture designs are allowed by the lamps compact size, while the very short arc provides a high perceived brightness and high beam intensity.

## Product data

### • General Characteristics

System Description	MiniFastFit
Cap-Base	PGJX28
Cap-Base Information	PGJX28
Execution	-
Operating Position	any
Main Application	Entertainment
Life to 50% failures	750 hr
EM	

### • Light Technical Characteristics

Color Code	2
Color Rendering Index	80 Ra8
Color Temperature	9300 K
Color Temperature Technical	9300 K
Chromaticity Coordinate X	288 -
Chromaticity Coordinate Y	306 -
Luminous Flux Lamp EM	21000 (min), 23000 (nom) Lm
Luminous Efficacy Lamp EM	77 Lm/W

### • Electrical Characteristics

Watts	300 W
Lamp Wattage Technical	300 W

Lamp Current	3.8 A
Ignition Supply Voltage	207 (min) V
Dimmable	Yes

### • Luminaire Design Requirements

Pinch Temperature	350 (max) C
Bulb Temperature	600 (max) C

### • Product Dimensions

Overall Length C	126 (max) mm
Diameter D	23 (max) mm
Light Center Length L	65.8 (min), 66.8 (nom), 67.8 (max) mm
Arc Length O	5.0 mm

### • Product Data

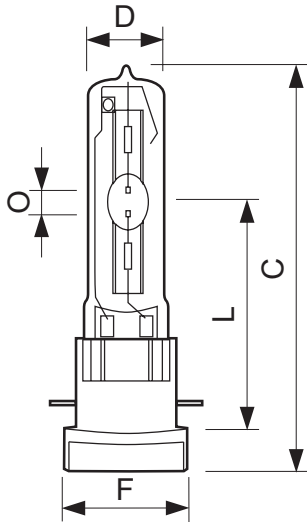
Product number	245308
Full product name	MSR Gold™ 300/2 MiniFastFit 1CT
Short product name	MSR Gold 300/2 MiniFastFit 1CT/16
Pieces per Sku	1
eop_pck_cfg	16
Skus/Case	16
Bar code on pack	8727900912265
Bar code on case	8727900912272
Logistics code(s)	928177105114
eop_net_weight_pp	0.062 kg



# PHILIPS

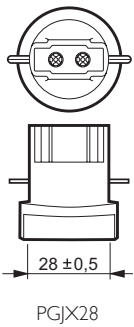
sense and simplicity

## Dimensional drawing



### MSR Gold™ 300/2 MiniFastFit

Product	A (Min)	A (Norm)	A (Max)	C (Max)	D (Max)	D1 (Norm)	F (Min)	F (Norm)	F (Max)	L (Min)	L (Norm)	L (Max)	O (Norm)
MSR GOLD 300/2 MiniFastFit	-	-	-	126	23	-	-	-	-	65.8	66.8	67.8	5.0



© 2012 Koninklijke Philips Electronics N.V.  
All rights reserved.

Specifications are subject to change without notice. Trademarks are the property of Koninklijke Philips Electronics N.V. or their respective owners.

[www.philips.com/lighting](http://www.philips.com/lighting)

2012, April 13  
data subject to change